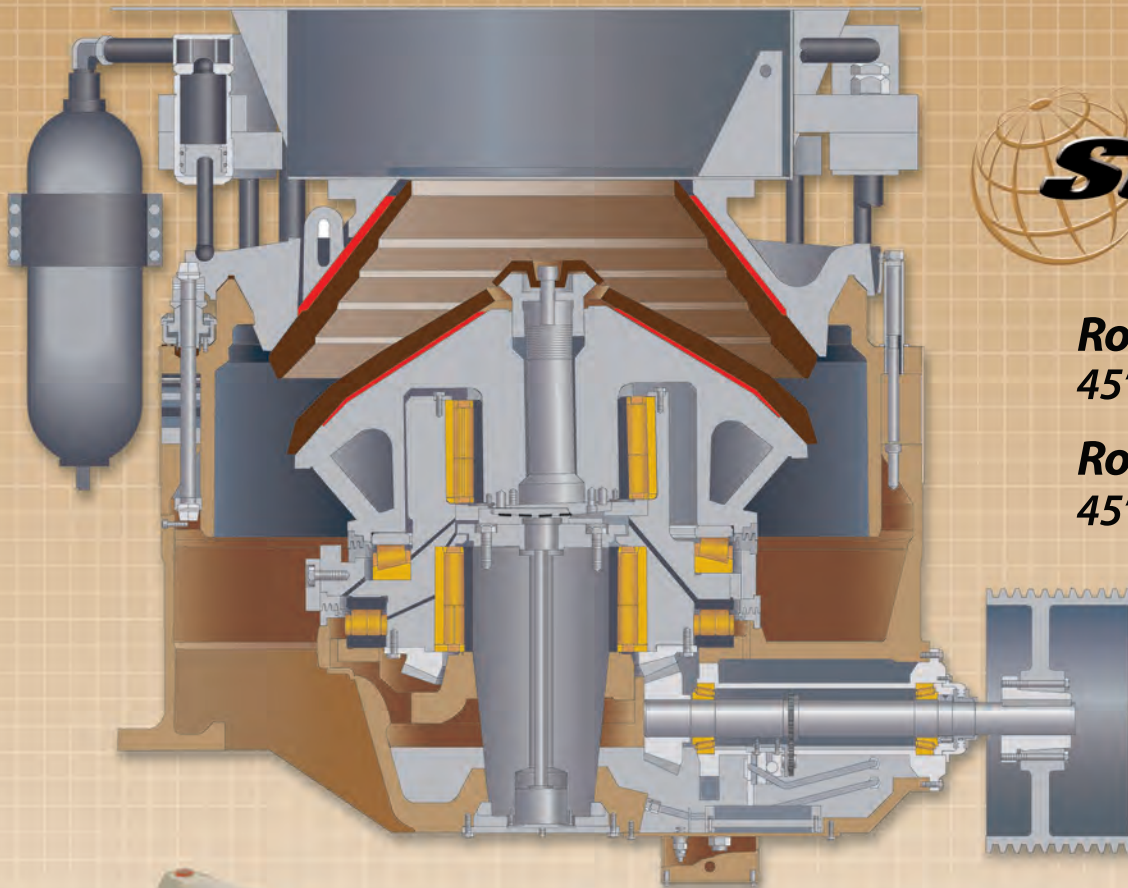


Excel Premium Replacement Parts Rollercone® Crushers



Rollercone Classic®
45" • 54"

Rollercone II®
45" • 54"



(800) 523-9129
sales@ExcelFoundry.com
www.ExcelFoundry.com



Rollercone®, Rollercone Classic® & Rollercone II® are registered trademarks of Terex/Cedarapids Inc. All manufacturer names, numbers, symbols and descriptions are used for reference purposes only. All parts are manufactured by, for and warranted by EXCEL FOUNDRY and MACHINE, INC. and are not manufactured by, purchased from or warranted by the original equipment manufacturer.